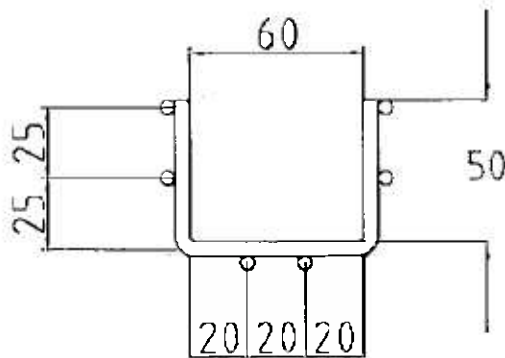


Isometric View Of Wire Tray



NOMINAL TOLERANCE	
NM	±
25 AND BELOW	1.0
ABOVE 25 TO 50	1.5
ABOVE 50 TO 100	2.0
ABOVE 100 TO 200	2.5
ABOVE 200 TO 500	3.0
ABOVE 500 TO 1000	4.0
ABOVE 1000	5.0

1	WIRE BASKET TRAY	50	60	3000	3000	HOT DIP GALV'D
ITEM	DESCRIPTION	HEIGHT	WIDTH	LENGTH	DIAMETER	FINISHED



UNITED U-LI (M) SDN.BHD
 subsidiary of UNITED U-LI CORPORATION - MALAYSIA

DATE: 7 MAR 08 DIMENSION IN MILLIMETRE DO NOT SCALE DRAWING
 DRAWN BY: AGONCHI PHUAH
 CHECKED BY: TKF
 APPROVED BY:

DRAWING IN MIXED VIEW

DRAWING NO:

ULI-SGM-WR01