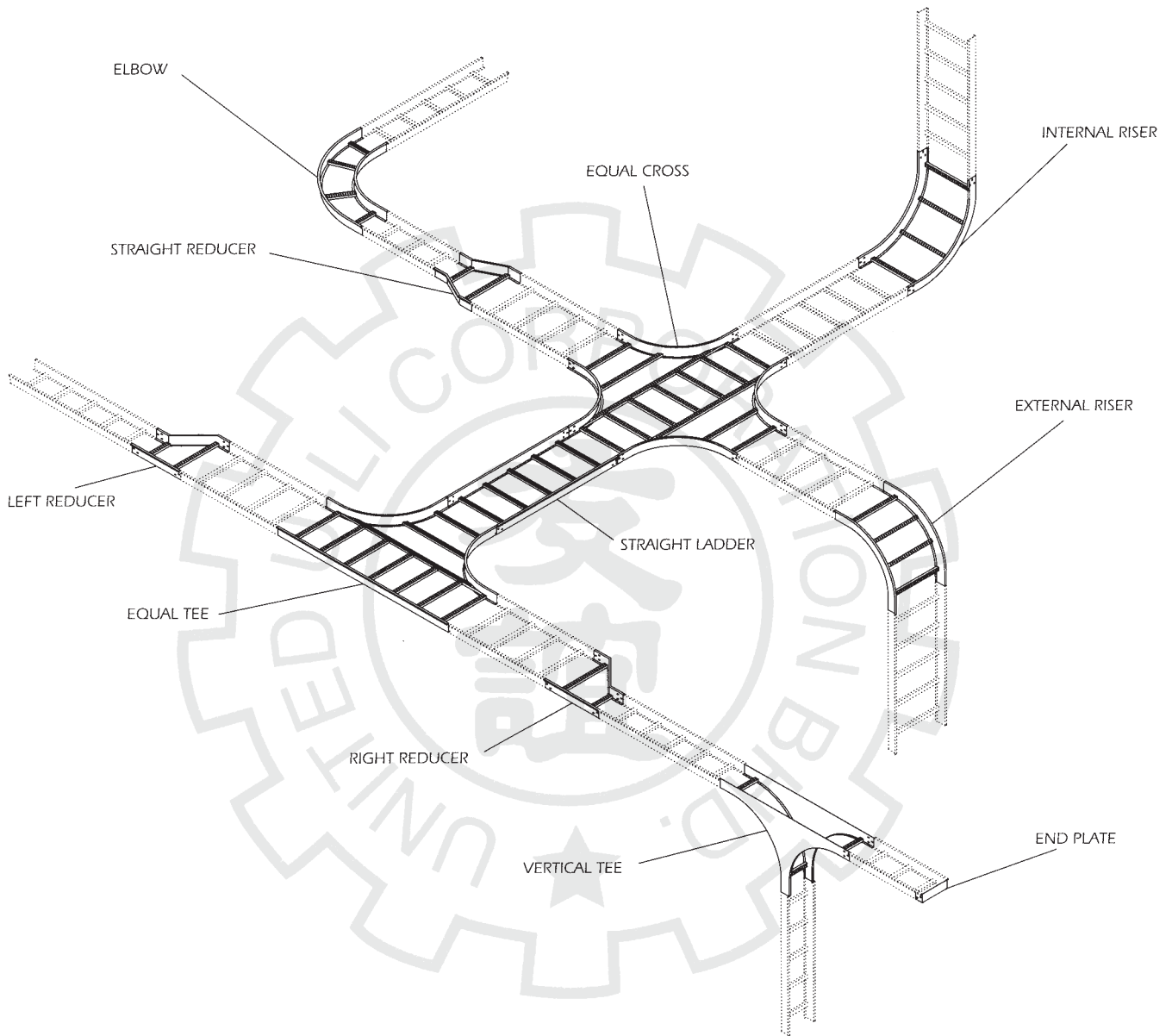


Steel Cable Ladder

U-LI™ Steel Cable Ladder Typical Layout



Steel Cable Ladder

U-LI™ Cable Ladder Product Range

U-LI™ design of Cable Ladder is compact and fast to install, with both straight Cable Ladder and all accessories having a unique integrated coupling system.

U-LI™ offers a wide range of options to suit your design and with load rated to NEMA VE1. We also manufacture Extra Heavy Duty Cable Ladder upon request.

U-LI™ offers multi side rails, rungs and slots profile for your design needs and applications. It has the advantage of quick on site installation, cut to length and reconnection.

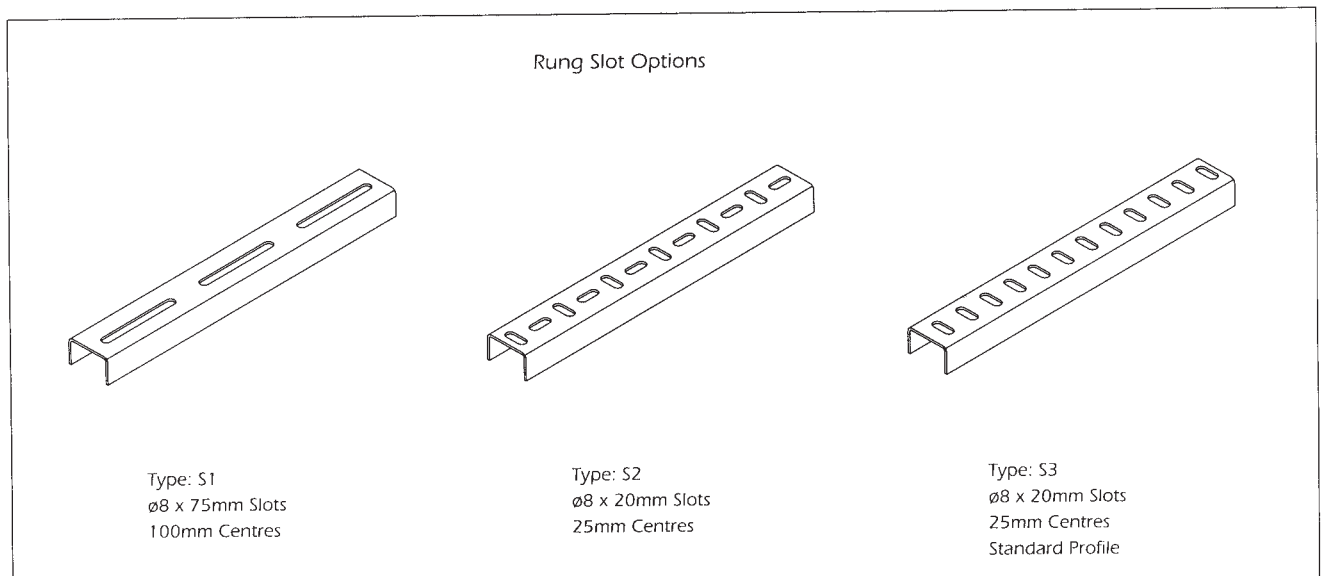
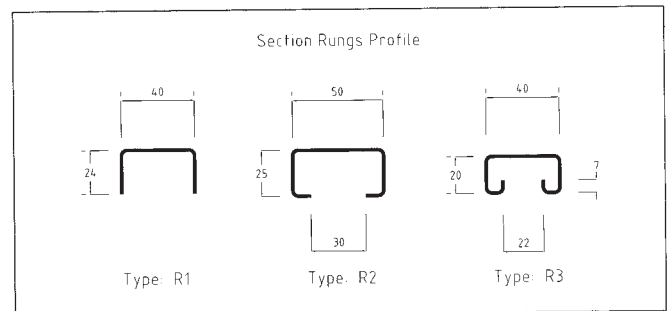
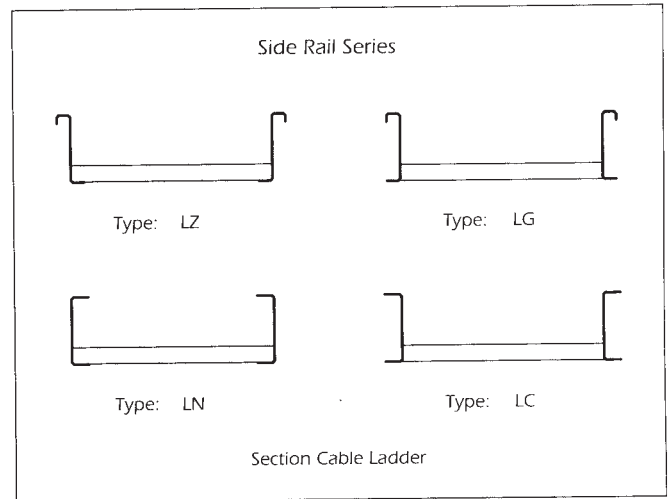
U-LI™ offers a wide range of materials to suit the site condition and also choices of final finishes.

Materials:

1. Hot roll mild steel. JISG 3131 SPHC
2. Cold roll mild steel. JISG 3141 SPCC - SD
3. Pre-Galvanised steel. BS 2989 or JISG 3302 SGCC
4. Electro-Galvanised. BS 1449 Pt 1:1983
5. Stainless steel. AISI 304, 316 or 316L
6. Aluminium.

Finishing:

1. Hot dip galvanised.
ASTM A123, BS EN ISO 1461:1999
2. Epoxy coated - ASTM D 1654, BS 6920
3. Polyester coated - ASTM D 1654, BS 6920

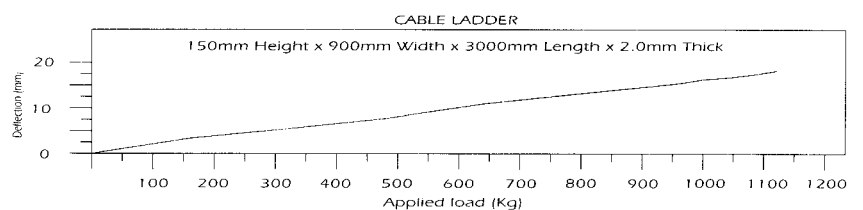
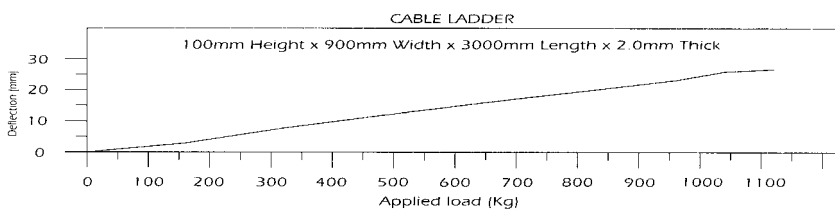
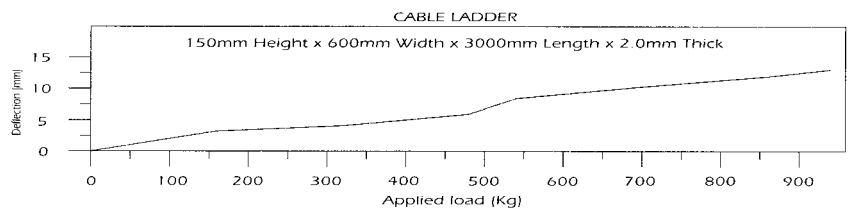
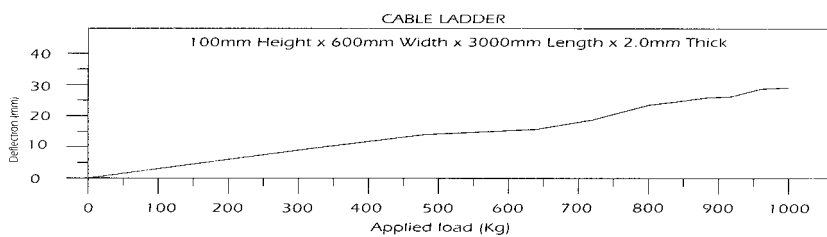
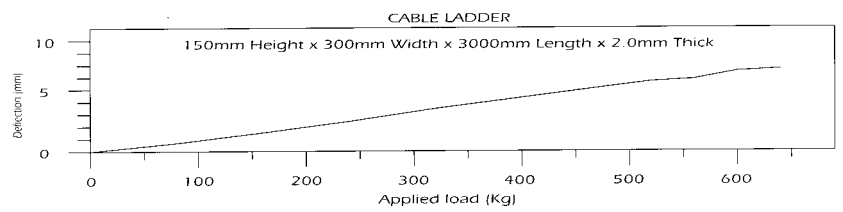
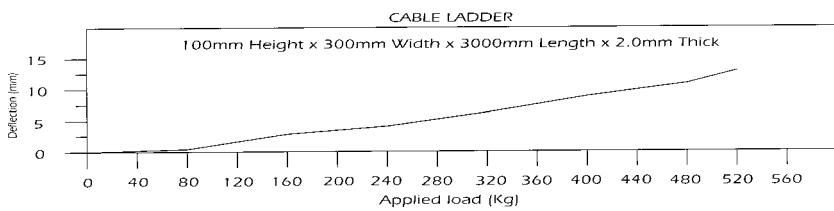


Steel Cable Ladder

Loading Graphs

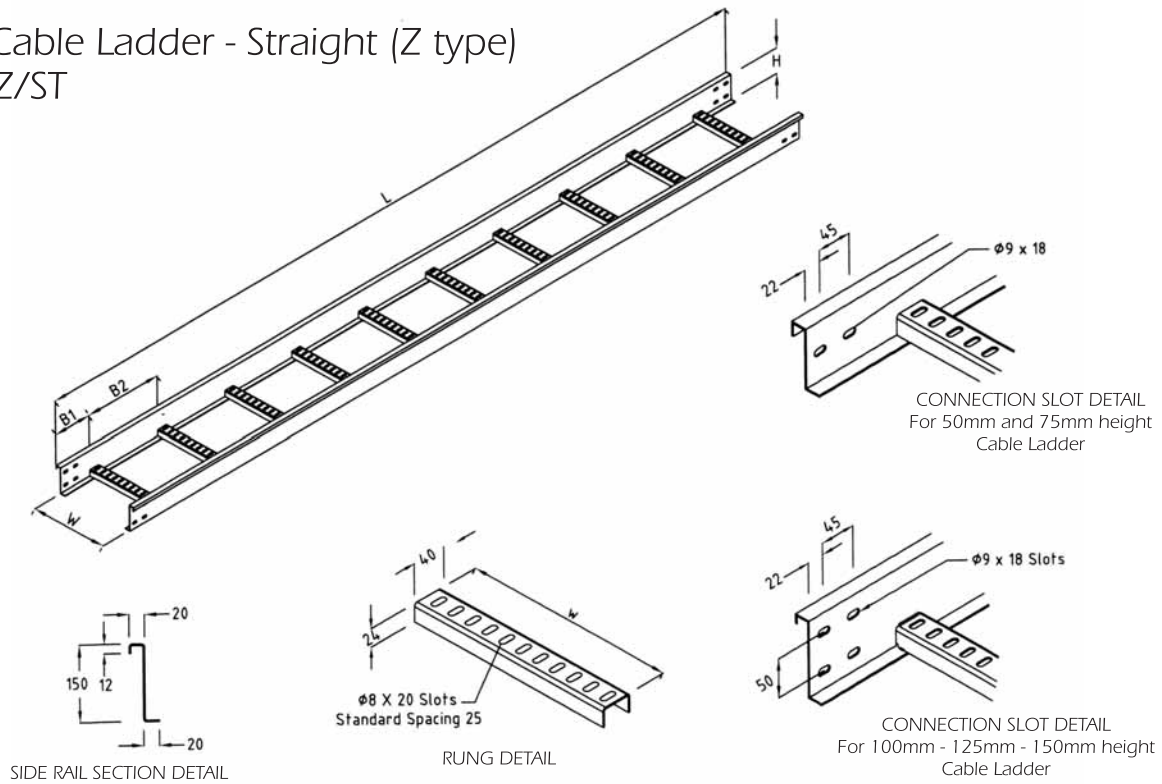
The graphs indicate deflection and safe working loads for continuous horizontal runs, the cable ladder upper limits on each graph shows the maximum working load for the ladder on the given span. For information on loads and deflection in these circumstances further advice should be sought from United U-LI™.

These tests were carried out using cable ladder Type:LZ manufactured from mild steel. The use of other steels will cause variation to this data and further advice on this should be requested from United U-LI™. The tests were conducted to NEMA VE1 specification and verified by SIRIM Qas International Sdn Bhd.



Steel Cable Ladder

Steel Cable Ladder - Straight (Z type) UM/LZ/ST



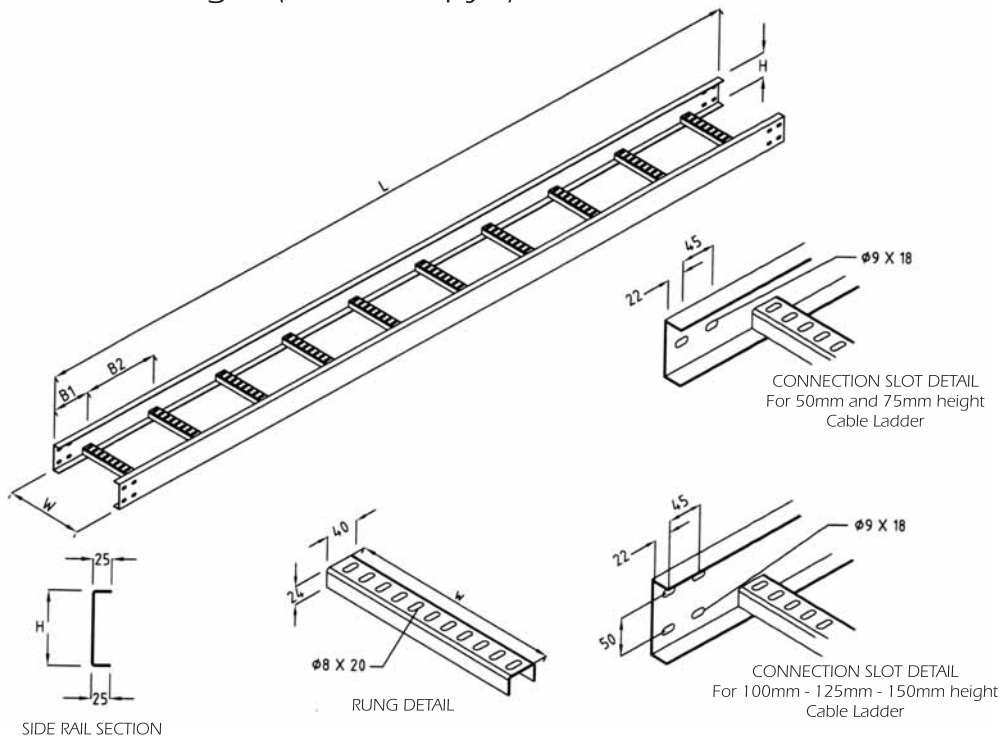
Component Ref	W	H	B1	B2	L	Finishing
UM/LZ, LIC, LOC/6-2	150	50	150	300	2440 or 3000	Hot Dipped Galvanizing or Epoxy Coated
UM/LZ, LIC, LOC/8-2	200	50				
UM/LZ, LIC, LOC/10-2	250	50				
UM/LZ, LIC, LOC/12-2	300	50				
UM/LZ, LIC, LOC/6-3	150	75				
UM/LZ, LIC, LOC/8-3	200	75				
UM/LZ, LIC, LOC/10-3	250	75				
UM/LZ, LIC, LOC/12-3	300	75				
UM/LZ, LIC, LOC/6-4	150	100				
UM/LZ, LIC, LOC/8-4	200	100				
UM/LZ, LIC, LOC/10-4	250	100				
UM/LZ, LIC, LOC/12-4	300	100				
UM/LZ, LIC, LOC/16-4	400	100				
UM/LZ, LIC, LOC/18-4	450	100				
UM/LZ, LIC, LOC/20-4	500	100				
UM/LZ, LIC, LOC/24-4	600	100				
UM/LZ, LIC, LOC/30-4	750	100				
UM/LZ, LIC, LOC/36-4	900	100				
UM/LZ, LIC, LOC/40-4	1000	100				
UM/LZ, LIC, LOC/8-5	200	125				

Component Ref	W	H	B1	B2	L	Finishing
UM/LZ, LIC, LOC/10-5	250	125	150	300	2440 or 3000	Hot Dipped Galvanizing or Epoxy Coated
UM/LZ, LIC, LOC/12-5	300	125				
UM/LZ, LIC, LOC/16-5	400	125				
UM/LZ, LIC, LOC/18-5	450	125				
UM/LZ, LIC, LOC/20-5	500	125				
UM/LZ, LIC, LOC/24-5	600	125				
UM/LZ, LIC, LOC/30-5	750	125				
UM/LZ, LIC, LOC/36-5	900	125				
UM/LZ, LIC, LOC/40-5	1000	125				
UM/LZ, LIC, LOC/8-6	200	150				
UM/LZ, LIC, LOC/10-6	250	150				
UM/LZ, LIC, LOC/12-6	300	150				
UM/LZ, LIC, LOC/16-6	400	150				
UM/LZ, LIC, LOC/18-6	450	150				
UM/LZ, LIC, LOC/20-6	500	150				
UM/LZ, LIC, LOC/24-6	600	150				
UM/LZ, LIC, LOC/30-6	750	150				
UM/LZ, LIC, LOC/36-6	900	150				
UM/LZ, LIC, LOC/40-6	1000	150				

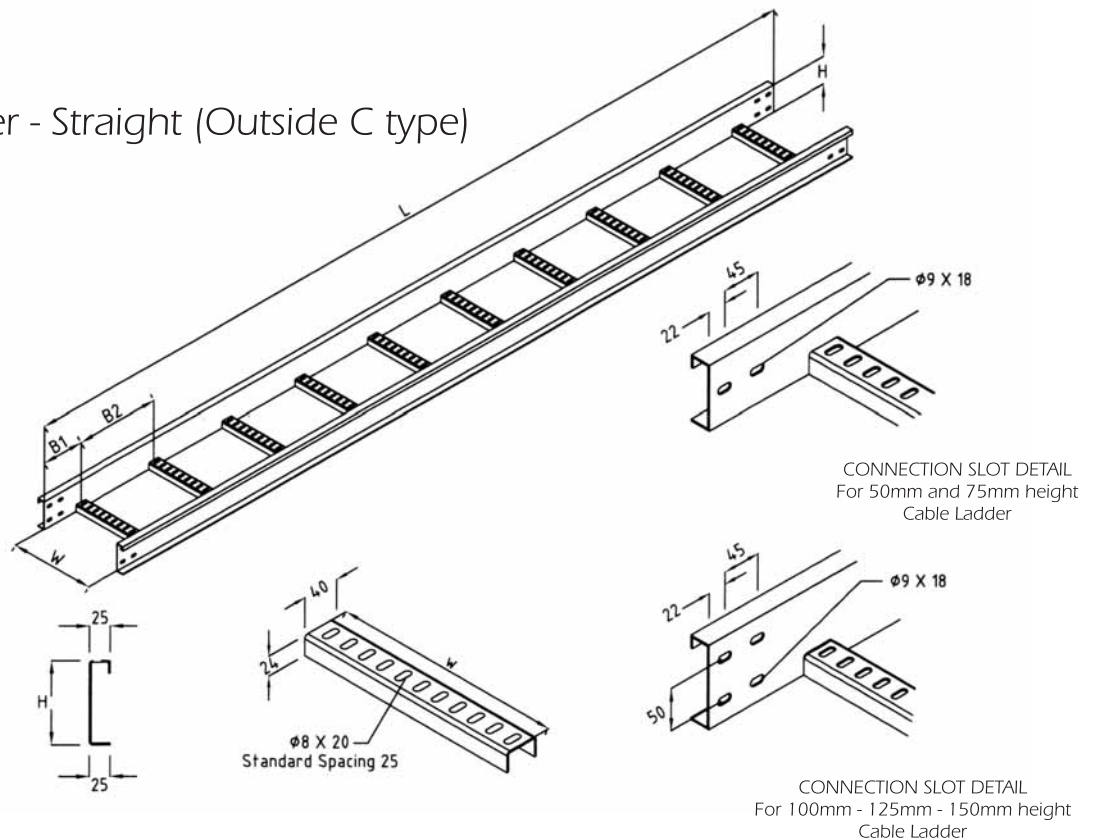
Dimension in Millimetre

Steel Cable Ladder

Steel Cable Ladder - Straight (Inside C type) UM/LIC/ST



Steel Cable Ladder - Straight (Outside C type) UM/LOC/ST

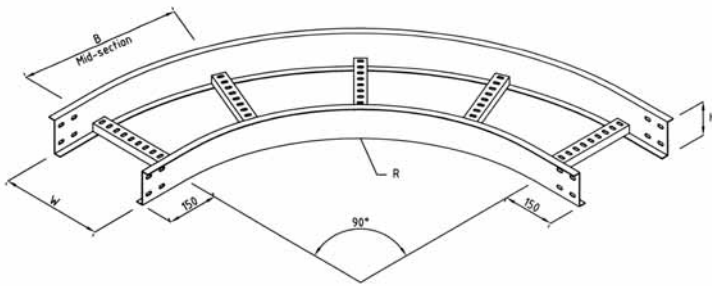


Dimension in Millimetre

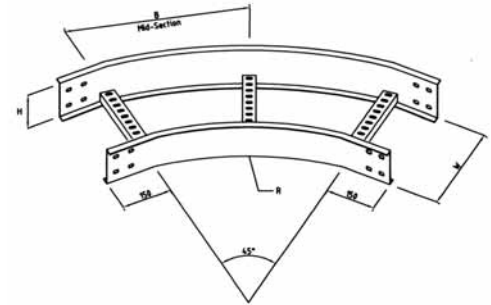
Abbreviation. B - Rung Spacing H - Height L - Length

Steel Cable Ladder

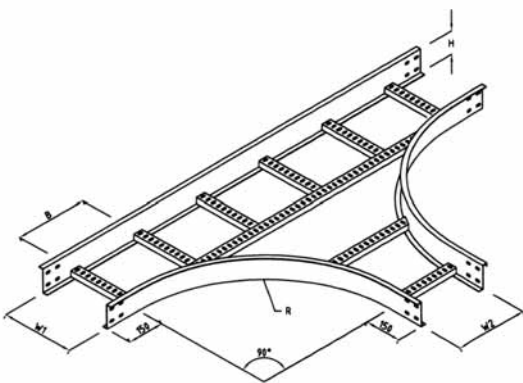
Steel Cable Ladder - Accessories UM/LZ, LIC, LOC/ACC



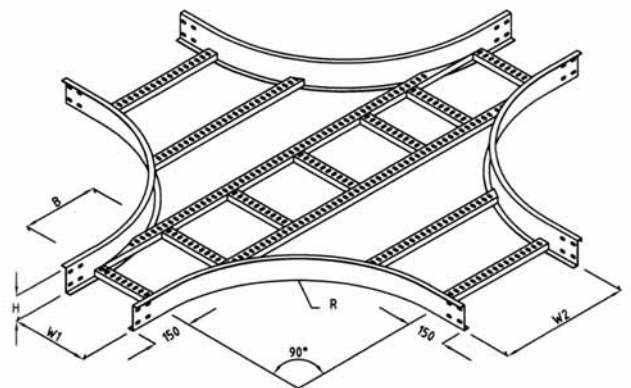
90° Elbow
UM/LZ,LIC,LOC/EL90



45° Elbow
UM/LZ,LIC,LOC/EL45



Horizontal Equal Tee
UM/LZ,LIC,LOC/ET



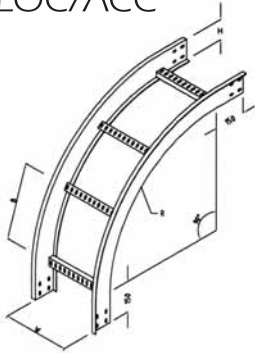
Equal Crosses
UM/LZ,LIC,LOC/EC

Dimension in Millimetre

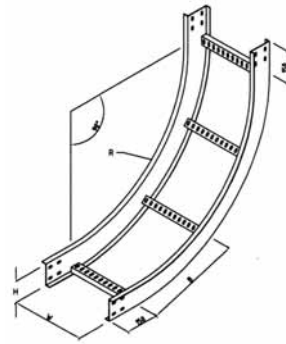
Abbreviation. B - Rung Spacing H - Height R - Radii W - Width

Steel Cable Ladder

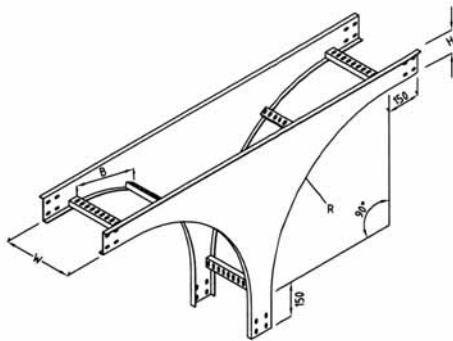
Steel Cable Ladder - Accessories UM/LZ, LIC, LOC/ACC



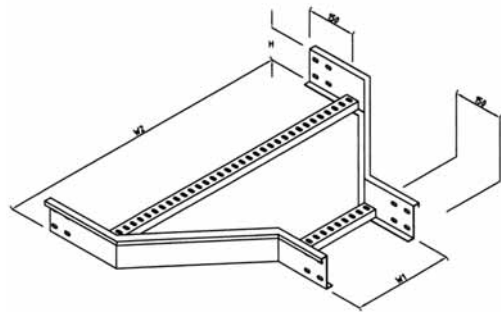
External Riser
UM/LZ, LIC, LOC/ER



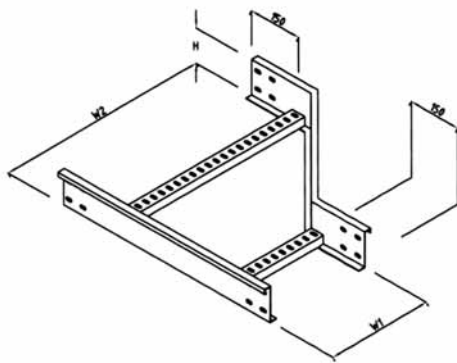
Internal Riser
UM/LZ, LIC, LOC/IR



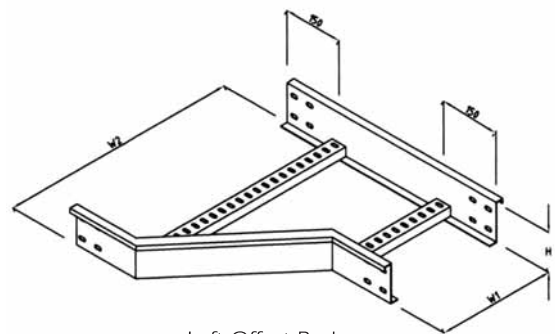
90° Vertical Tee
UM/LZ, LIC, LOC/VT90



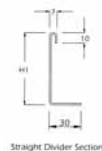
Straight Offset Reducer
UM/LZ, LIC, LOC/SR



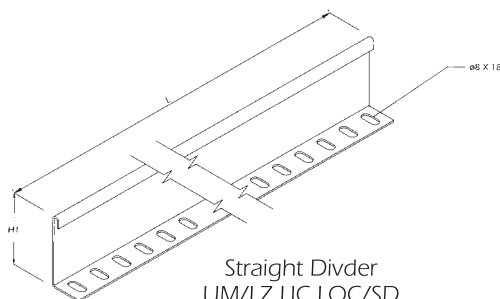
Right Offset Reducer
UM/LZ, LIC, LOC/RR



Left Offset Reducer
UM/LZ, LIC, LOC/L R



Straight Divider Section



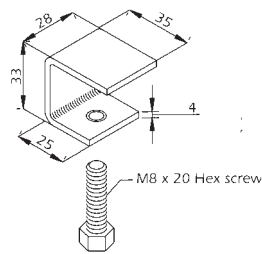
Straight Divider
UM/LZ, LIC, LOC/SD

Dimension in Millimetre

Abbreviation. B - Rung Spacing H - Height R - Radii W - Width

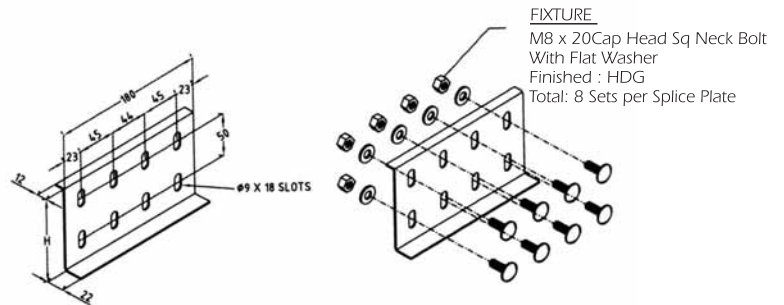
Steel Cable Ladder

Steel Cable Ladder - Accessories UM/LZ, LIC, LOC/ ACC

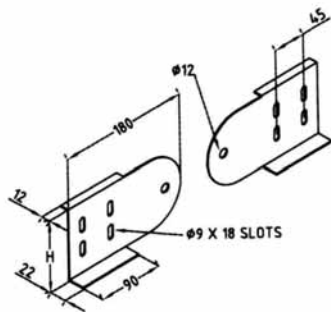


COVER CLAMP DETAIL

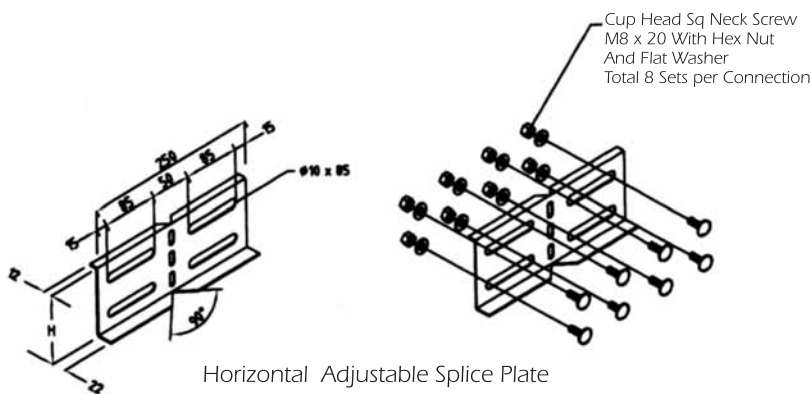
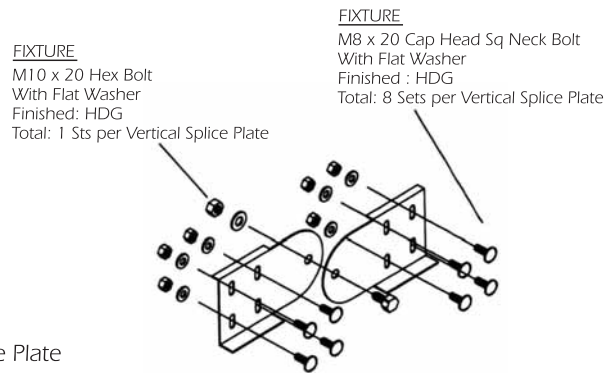
Straight Cover Clamp



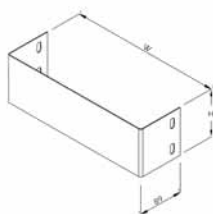
Horizontal Splice Plate



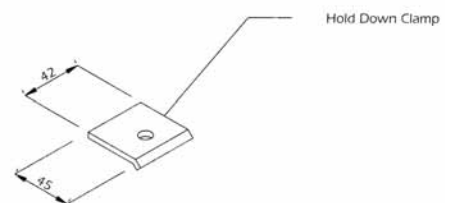
Vertical Adjustable Splice Plate



Horizontal Adjustable Splice Plate



End Plate

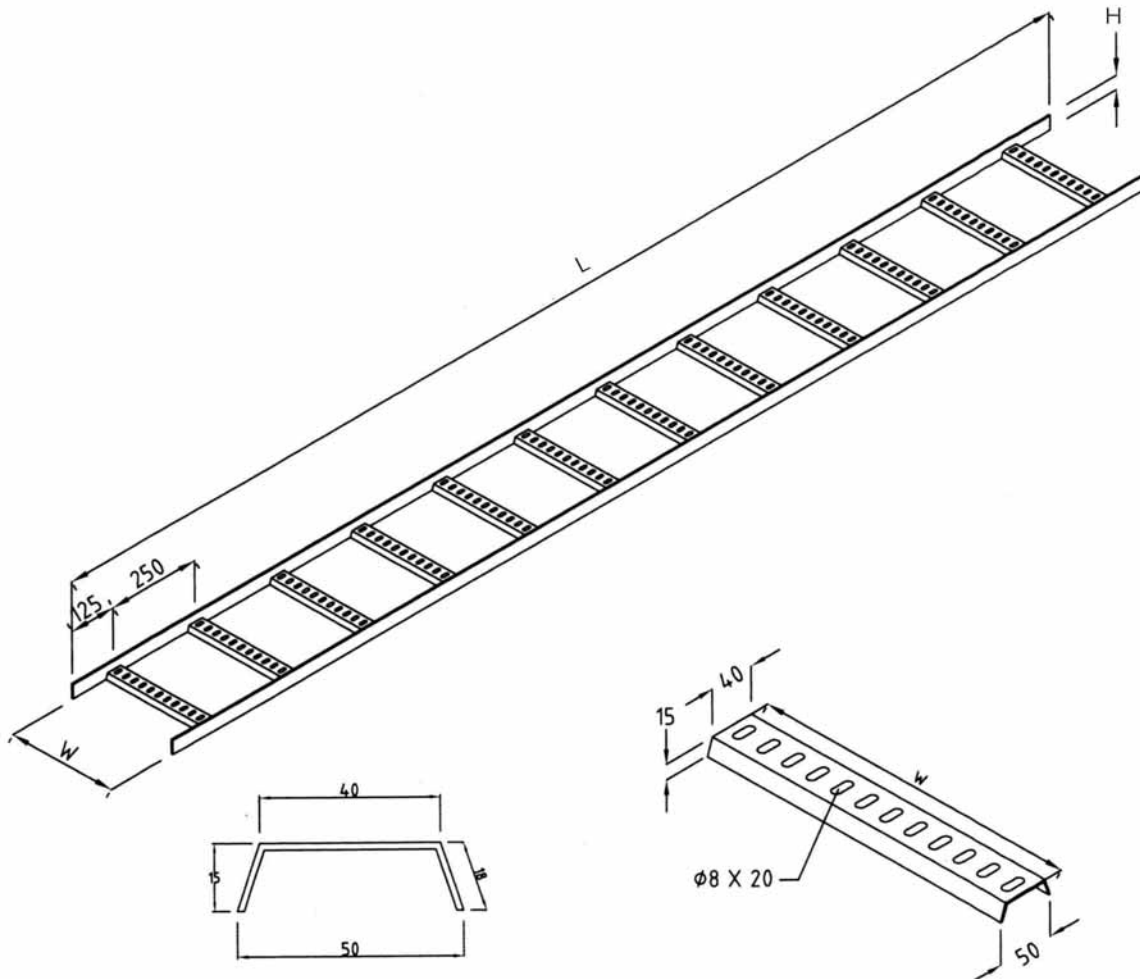


Hold Down Clamp

Dimension in Millimetre
Abbreviation. H - Height

Steel Marine Ladder

UM™ STEEL MARINE LADDER
Type: UL/MR/ST



Component Ref	W	H	B1	B2	L	Finishing
UM/MR/ST6	150	38	125	250	3000	Hot Dipped Galvanizing or Epoxy Coated
UM/MR/ST8	200					
UM/MR/ST10	250					
UM/MR/ST12	300					
UM/MR/ST14	350					
UM/MR/ST16	400					

Component Ref	W	H	B1	B2	L	Finishing
UM/MR/ST18	450	38	125	250	3000	Hot Dipped Galvanizing or Epoxy Coated
UM/MR/ST20	500					
UM/MR/ST24	600					
UM/MR/ST30	750					
UM/MR/ST36	900					
UM/MR/ST40	1000					

Standard Accessories are available

Dimension in Millimetre

W - Width H - Height B - Rung Spacing L - Length